

## Assembly instruction



Product name:  
**Square Expanded Steel Game Table with 4 Plastic Seats**

Date create:  
2010-05-06

Code:  
4052,4052A,4052B

Destination:  
Urban furniture

Scale:  
1:20

Version:  
Concrete Top, Floor Mounted

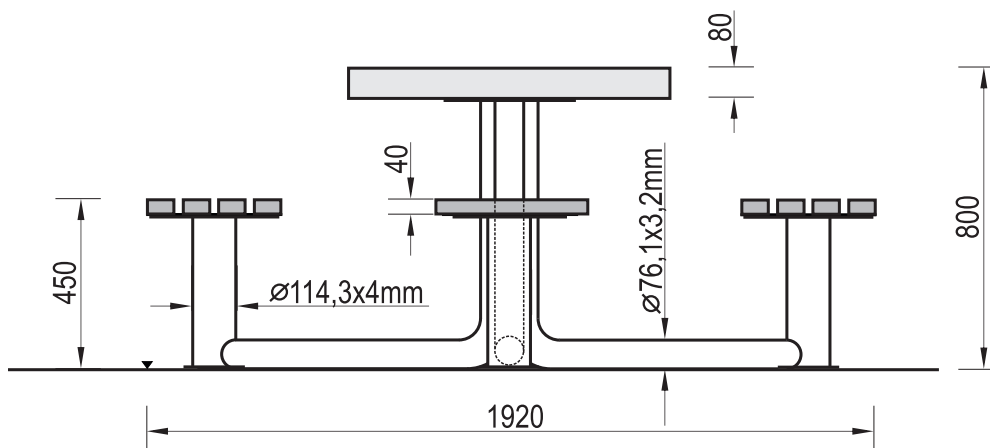
### General principles

**The device shall be mounted in accordance with the site layout plan or with the following principles:**

- Secure the assembly site to keep others at a distance
- Designate a precise location of the assembly having regard to appropriate safety zones of each devices.
- The device shall be mounted in consideration of an appropriate space of safety using of other, adjacent equipment, in accordance with the rules laid down in European Standard PN EN 1176.
- During the assembly works, follow the original assembly instruction of the particular equipment.
- The table shall be mounted on a level ground, immediately after delivery to the mounting location.
- The installation shall be performed by using appropriate tools and technical means.

### Assembly method

1. The assembly of the device shall start with planning of placing the table in area, having regard to adjacent items. For this purpose use a tape measure, having regard to playing area around the table.
2. Check the assembly method presented below:



3. The table is intended for installation on a hard surface
4. Place the table on an even, stable surface. To prevent the table from moving, you can screw it to the ground with plugs and screws sunk into the ground, such as asphalt, concrete, etc.
5. The surface should be even and free of sand, debris, etc.
6. Assembly with screws begins with the initial measurement of the table in the place of assembly and arranging it so that it remains stable. The entire base of the table should rest stable on the ground - the entire surface of the stool's feet should touch the ground.
7. Mark the places for drilling holes and make them. After holes are finished, insert the rawlplugs into them.
8. Place the table on the prepared assembly site and screw it to the ground with screws.
9. The area after assembly should be cleaned..

### Recommendations

- The assembly location shall be agreed with the owner or the administrator of the area.
- Ensure that the equipment does not present a risk to the health or safety of users and does not block access routes that may need to be used by emergency vehicles or commercial vehicles.

**WARNING ! The equipment shall be used in accordance with its intended purpose**