

## KIDS PICNIC TABLE

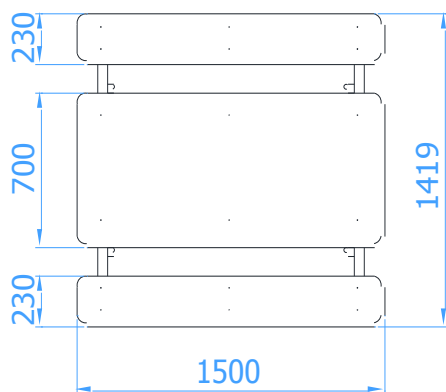
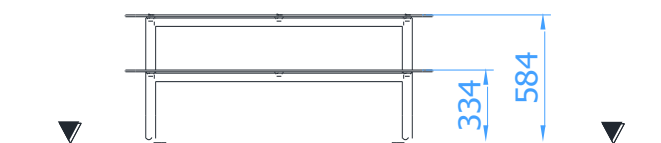
Free standing  
Catalogue number: 65

It shall apply from: 02-08-2022

**Product Dimensions:**  
(length x width x height) 1,5 x 1,42 x 0,59 m



### Product dimensions



### Technical description

- Construction made of steel pipes:  $\varnothing 48,3 \times 2,9 \text{ mm}$  and  $\varnothing 38 \times 2,6 \text{ mm}$ ,
- Table top and seats made of HPL board 8mm thick,
- All steel elements are hot-dip galvanized
- Thanks to its low weight, the table can be easily moved.  
If necessary, the table can also be permanently attached to the ground.