

## Technical Data Sheet



Product name:

**Concrete Open Grill**

Date create:

**2015-04-08**

Code:

**6700**

Destination:

**Urban Furniture**

Scale:

**1:25**

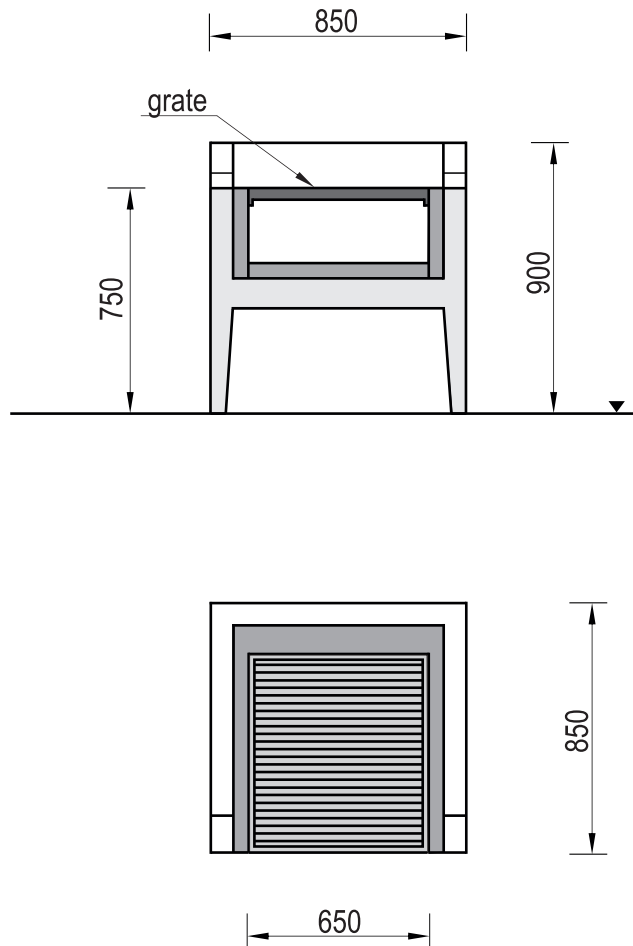
Construction materials:

**Concrete C25/30, steel, stainless steel, plastic**

Weight:

**490 kilos**

Notes:



### Technical description:

- Designed specifically for outdoor use
- Construction made of high quality, painted concrete class C25/30
- Concrete fire bowl heat resistant up to 1350C
- Grate made of stainless steel resistant to moisture and high temperatures
- Because of its weight, the grill is stable and it doesn't require additional anchorage in ground
- It's provided with two steel handles which allow for free grate height adjustment
- Top of the grill protected by aluminum edge trims
- Concrete flat around the fire bowl can be used for preparing and eating meals

**WARNING ! The equipment shall be used in accordance with its intended purpose**