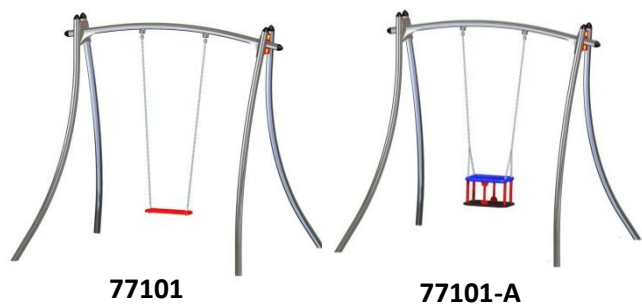


TECHNICAL DATA SHEET

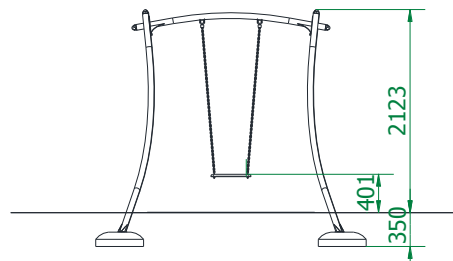
FUTURA SINGLE SWING SET

Catalogue numbers:
77101 – version with a Flat Seat,
77101-A – version with a Baby Seat

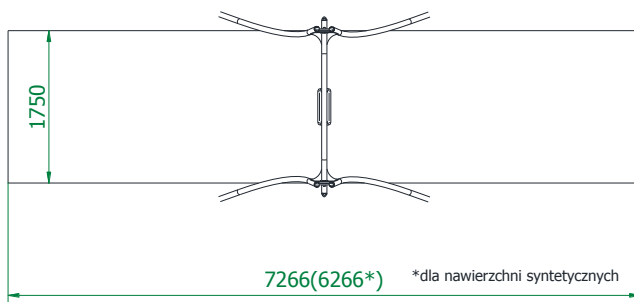
Users' age group:	77101 – 3 to 14 years 77101-A – up to 14 years
Max. free fall height:	1,20 m
Product Dimensions: (length x width x height)	2,40 x 2,18 x 2,12 m
Impact area: (length x width)	7,27(6,27)* x 1,75 m



Product dimensions



Impact area dimensions



Permissible impact attenuating surface

- Bark – grain size 20 do 80 mm, min. depth 200 mm
- Woodchip – grain size 5 do 30 mm, min. depth 200mm
- Sand – grain size 0,2 do 2 mm, min. depth 200mm
- Gravel – grain size 2 do 8 mm, min. depth 200mm
- Synthetic surfaces in accordance with tested HIC (EN 1177)

The impact attenuating surface shall be installed on the whole of impact area.

A loose-fill safety surface shall be 100mm thicker than min. depth indicated above.

An impact area of the swing shall not overlap with the impact area of any other device on the playground

Technical description

- A solid stainless steel construction made of round pipes
- Connectors of the construction are resistant to weather conditions
- Swing chains made of stainless steel
- Seats with aluminum profiles, covered with PU blend
- The set includes foundations made of concrete class C25/30