

## FUTURA PLAY SET NO. 79

Catalogue number: 77779

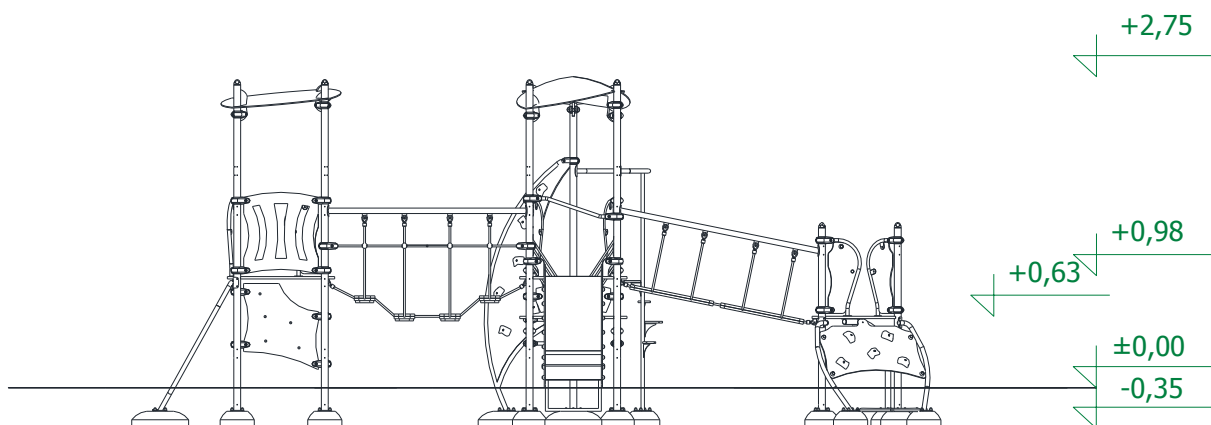
|   |                      |
|---|----------------------|
| <b>Users' age group:</b>                                | up to 14 years       |
| <b>Max. free fall height:</b>                           | 0,98 m               |
| <b>Product Dimensions:</b><br>(length x width x height) | 6,70 x 6,08 x 2,75 m |
| <b>Impact area:</b><br>(length x width)                 | 9,57 x 8,57 m        |



### Technical description

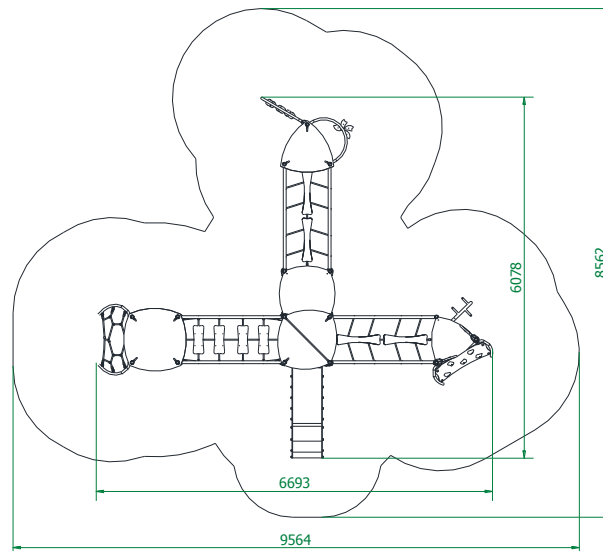
- Stainless steel construction
- Non-slip, waterproof plywood platforms
- Stainless steel & HDPE slide
- HPL side panels and climbing walls
- HDPE construction components
- The set includes foundations made of concrete class C25/30
- Standard side panels can be replaced with play/educational panels from our offer

### Product dimensions



## TECHNICAL DATA SHEET

### Impact area dimensions



### Permissible impact attenuating surface

- Turf, topsoil
- Bark – grain size 20 do 80 mm, min. depth 200 mm + 100mm (for displacement)
- Woodchip – grain size 5 do 30 mm, min. depth 200mm + 100mm (for displacement)
- Sand – grain size 0,2 do 2 mm, min. depth 200mm + 100mm (for displacement)
- Gravel – grain size 2 do 8 mm, min. depth 200 mm+ 100mm (for displacement)
- Synthetic surfaces in accordance whit tested HIC (EN 1177)

*The impact attenuating surfacing shall be installed on the whole of impact area.*

