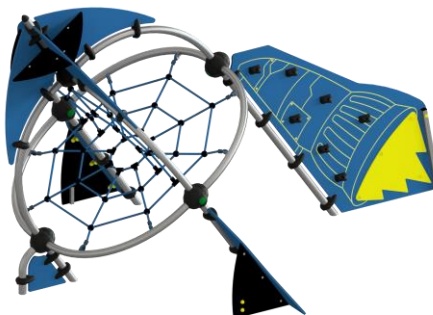


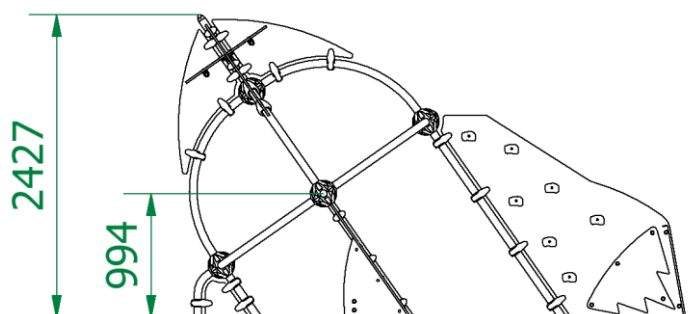
CLIMBING ROCKET

Catalogue number: 84101

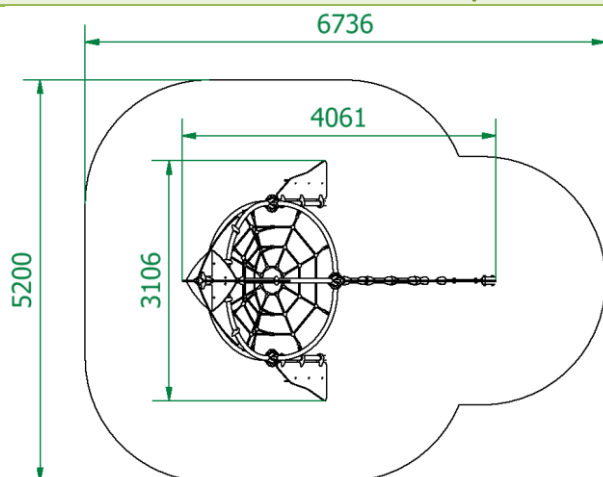
User age:	6-14 years
Max. free fall height :	1,53 m
Product dimensions (length x width x height)	4,06 x 3,11 x 2,43 m
Impact area dimensions (length x width)	6,74 x 5,20 m



Product dimensions



Impact area dimensions



Permissible impact attenuating surfacing

- Bark – grain size 20 do 80 mm, min. depth 200 mm + 100mm (for displacement)
- Woodchip – grain size 5 do 30 mm, min. depth 200mm + 100mm (for displacement)
- Sand – grain size 0,2 do 2 mm, min. depth 200mm + 100mm (for displacement)
- Gravel – grain size 2 do 8 mm, min. depth 200 mm + 100mm (for displacement)
- Synthetic surfaces in accordance whit tested HIC (EN 1177)

The impact attenuating surfacing shall be installed over the entire impact area.

Technical description

- Construction made of stainless steel and plastic connectors.
- HDPE construction components
- Ø16 mm PP ropes with galvanized steel wires
- The set includes foundations made of concrete class C25/30