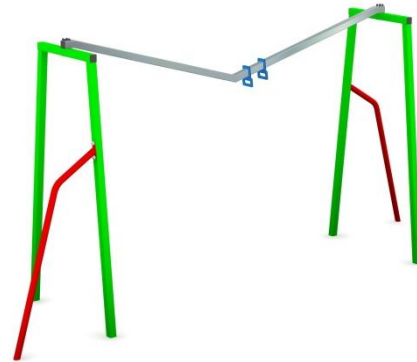


## STREET WORKOUT SET VA

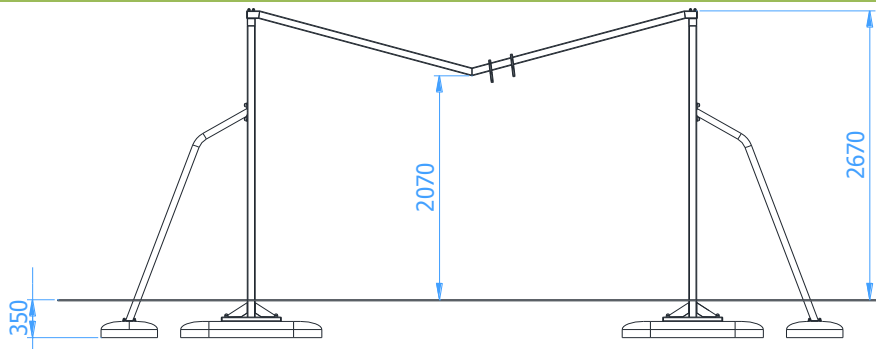
Catalogue number: 88090

It shall apply from: 22-01-2016

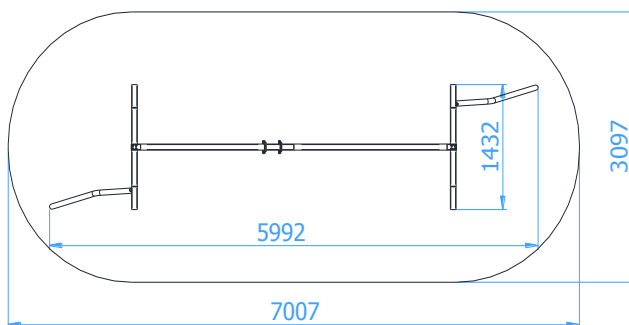
<b>Max. free fall height:</b>	1,52 m
<b>Product Dimensions:</b> (length x width x height)	6,00 x 1,44 x 2,67 m
<b>Impact area:</b> (length x width)	7,01 x 3,10 m
<b>Free zone:</b>	19,7 m <sup>2</sup>



### Product dimensions



### Impact area dimensions



### Permissible impact attenuating surface

- Bark – grain size 20 do 80mm, min. depth 200
- Woodchip – grain size 5 do 30 mm, min. depth 200mm
- Sand – grain size 0,2 do 2 mm, min. depth 200mm
- Gravel – grain size 2 do 8 mm, min. depth 200 mm
- Synthetic surfaces in accordance whit tested HIC (EN 1177)

*The impact attenuating surfacing shall be installed on the whole of impact area.*

*A loose-fill safety surface shall be 100mm thicker than min. depth indicated above.*

### Technical description

- Construction made of steel profile 70x70x3mm and a steel pipe  $\varnothing 60,3 \times 2,9$ mm
- Guideway made of stainless steel profile 70x70x3mm
- Handles made of 19mm HDPE sheet
- All steel elements are protected against corrosion and painted with an acrylic lacquer
- The set includes foundations made of concrete class C25/30
- All posts shall be set in concrete class C16/20