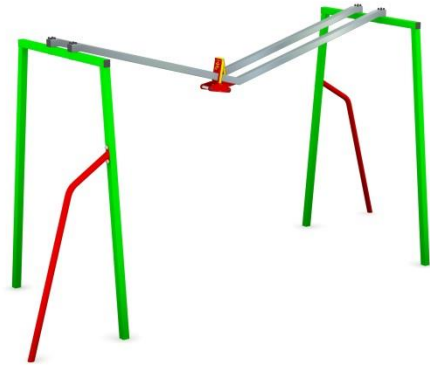


STREET WORKOUT SET VB

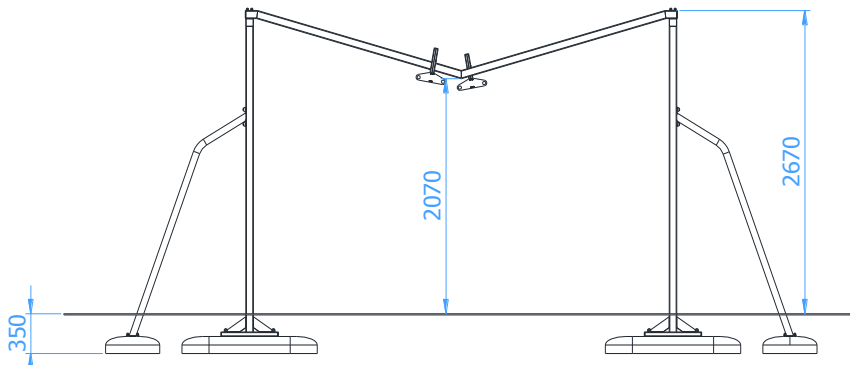
Catalogue number: 88091

It shall apply from: 21-01-2016

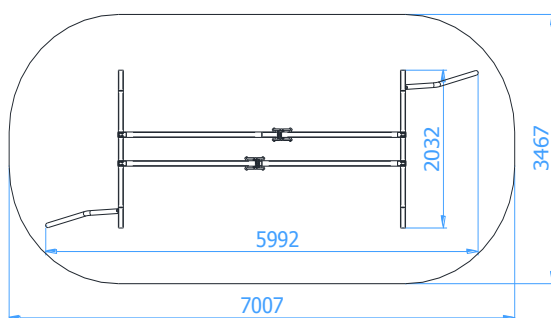
| | |
|---|----------------------|
| Max. free fall height: | 1,52 m |
| Product Dimensions: (length x width x height) | 6,00 x 2,04 x 2,67 m |
| Impact area: (length x width) | 7,01 x 3,47 m |
| Free zone: | 22,8 m ² |



Product dimensions



Impact area dimensions



Permissible impact attenuating surface

- Bark – grain size 20 do 80mm, min. depth 200
- Woodchip – grain size 5 do 30 mm, min. depth 200mm
- Sand – grain size 0,2 do 2 mm, min. depth 200mm
- Gravel – grain size 2 do 8 mm, min. depth 200 mm
- Synthetic surfaces in accordance with tested HIC (EN 1177)

The impact attenuating surfacing shall be installed on the whole of impact area.

A loose-fill safety surface shall be 100mm thicker than min. depth indicated above.

Technical description

- Construction made of steel profile 70x70x3mm and a steel pipe $\varnothing 60,3 \times 2,9$ mm
- Guideway made of stainless steel profile 70x70x3mm
- Handles made of 19mm HDPE sheet
- All steel elements are protected against corrosion and painted with an acrylic lacquer
- The set includes foundations made of concrete class C25/30
- All posts shall be set in concrete class C16/20