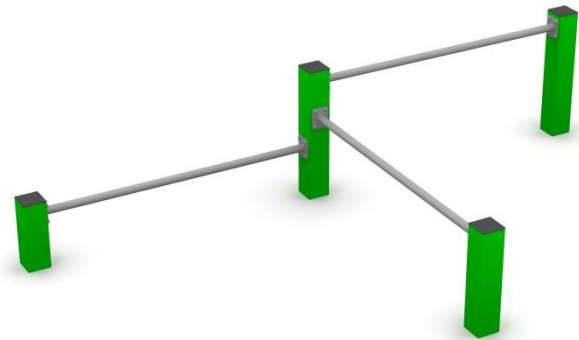


THREE-ARMED BAR STATION

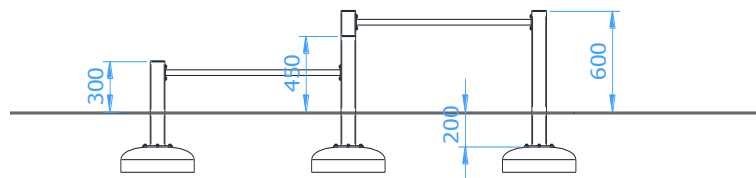
Catalogue number: 88190

It shall apply from: 24-01-2024

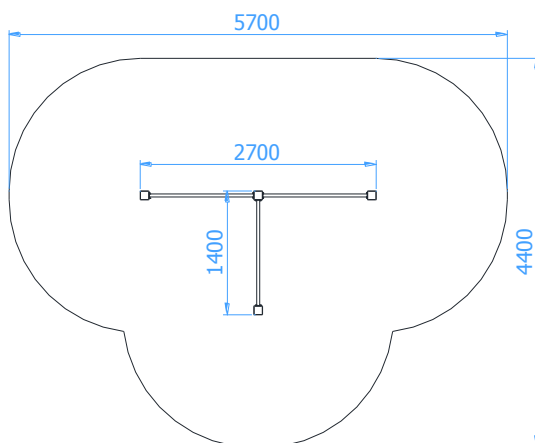
Max. free fall height:	0,60 m
Product Dimensions: (length x width x height)	2,70 x 1,40 x 0,60 m
Impact area: (length x width)	5,70 x 4,40 m
Free zone:	18,8 m ²



Product dimensions



Impact area dimensions



Permissible impact attenuating surface

- Bark – grain size 20 do 80mm, min. depth 200
- Woodchip – grain size 5 do 30 mm, min. depth 200mm
- Sand – grain size 0,2 do 2 mm, min. depth 200mm
- Gravel – grain size 2 do 8 mm, min. depth 200 mm
- Synthetic surfaces in accordance whit tested HIC (EN 1177)

*The impact attenuating surfacing shall be installed on the whole of impact area.
A loose-fill safety surface shall be 100mm thicker than min. depth indicated above.*

Technical description

- All posts made of closed profiles 100x100x3mm
- Bars made of $\varnothing 33,7 \times 4$ mm pipes
- All steel elements are hot-dip galvanized and painted with an acrylic, structured lacquer
- The set includes foundations made of concrete class C25/30