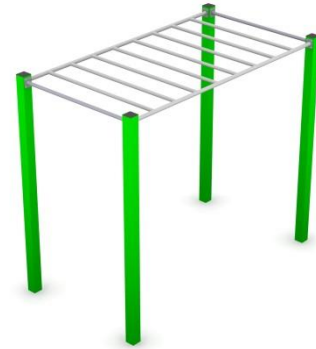


## HORIZONTAL LADDER

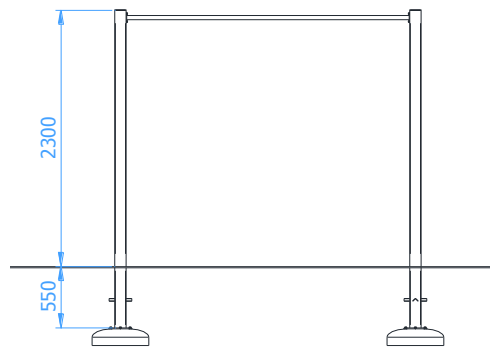
Catalogue number: 88200

It shall apply from: 24-01-2024

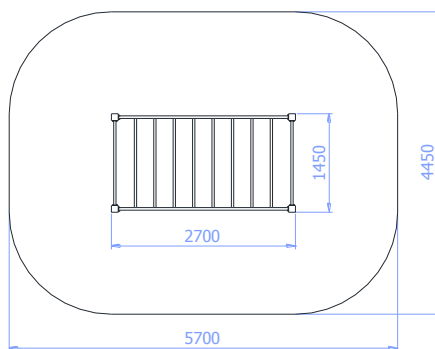
|   |                      |
|---|----------------------|
| <b>Max. free fall height:</b>                           | 1,30 m               |
| <b>Product Dimensions:</b><br>(length x width x height) | 2,70 x 1,45 x 2,30 m |
| <b>Impact area:</b><br>(length x width)                 | 5,70 x 4,45 m        |
| <b>Free zone:</b>                                       | 23,4 m <sup>2</sup>  |



### Product dimensions



### Impact area dimensions



#### Permissible impact attenuating surface

- Bark – grain size 20 do 80mm, min. depth 200
- Woodchip – grain size 5 do 30 mm, min. depth 200mm
- Sand – grain size 0,2 do 2 mm, min. depth 200mm
- Gravel – grain size 2 do 8 mm, min. depth 200 mm
- Synthetic surfaces in accordance whit tested HIC (EN 1177)

*The impact attenuating surfacing shall be installed on the whole of impact area.*

*A loose-fill safety surface shall be 100mm thicker than min. depth indicated above.*

### Technical description

- Posts made of closed profiles 100x100x3mm
- Ladder made of pipes:  $\varnothing 38 \times 4 \text{ mm}$  and  $\varnothing 33,7 \times 4 \text{ mm}$ ,
- All steel elements are hot-dip galvanized and painted with an acrylic, structured lacquer
- The set includes foundations made of concrete class C25/30
- All posts shall be set in concrete class C16/20