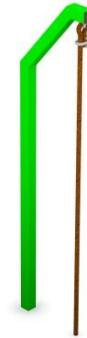


CLIMBING ROPE – STREET WORKOUT

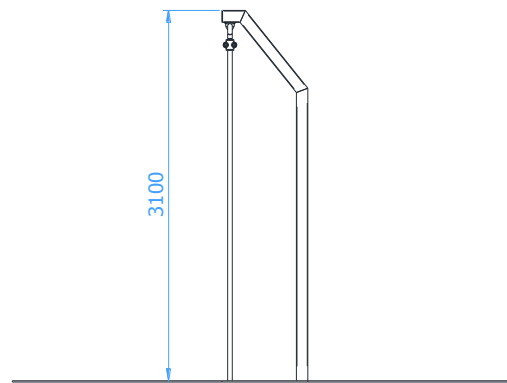
Catalogue number: 88240

It shall apply from: 24-01-2024

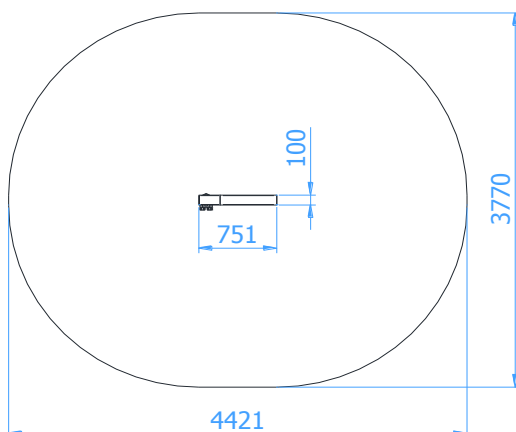
Max. free fall height:	2,00 m
Product Dimensions: (length x width x height)	0,75 x 0,10 x 3,10 m
Impact area: (length x width)	4,42 x 3,77 m
Free zone:	13,7 m ²



Product dimensions



Impact area dimensions



Permissible impact attenuating surface

- Bark – grain size 20 do 80mm, min. depth 200
- Woodchip – grain size 5 do 30 mm, min. depth 200mm
- Sand – grain size 0,2 do 2 mm, min. depth 200mm
- Gravel – grain size 2 do 8 mm, min. depth 200 mm
- Synthetic surfaces in accordance whit tested HIC (EN 1177)

The impact attenuating surfacing shall be installed on the whole of impact area.

A loose-fill safety surface shall be 100mm thicker than min. depth indicated above.

Technical description

- Steel construction made of profile 100x100x3mm
- Ø40mm jute climbing rope
- All steel elements are hot-dip galvanized and painted with an acrylic, structured lacquer
- The set includes foundations made of concrete class C25/30
- All posts shall be set in concrete class C16/20