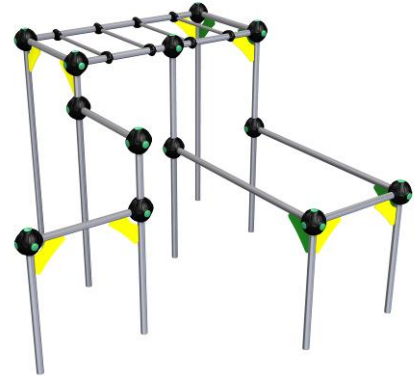




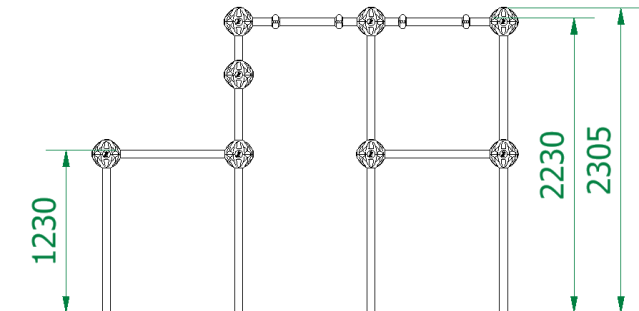
SMALL PARKOUR RAIL KIT S1

Catalogue number: 89004

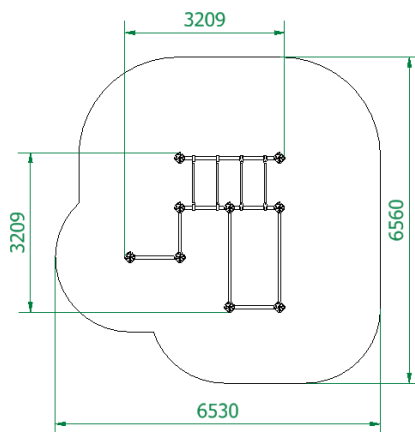
Users' age group:	6+
Max. free fall height:	2,23 m
Product dimensions: (length x width x height)	3,21 x 3,21 x 2,31 m
Impact area dimensions: (length x width)	6,56 x 6,53 m
Free zone:	36,2 m ²



Product dimensions



Impact area dimensions



Permissible impact attenuating surface

- Bark – grain size 20 do 80 mm, min. depth 300 mm + 100mm (for displacement)
- Woodchip – grain size 5 do 30 mm, min. depth 300mm + 100mm (for displacement)
- Sand – grain size 0,2 do 2 mm, min. depth 300mm + 100mm (for displacement)
- Gravel – grain size 2 do 8 mm, min. depth 300 mm + 100mm (for displacement)
- Synthetic surfaces in accordance with tested HIC (EN 1177)

The impact attenuating surfacing shall be installed over the entire impact area.

Technical description

- Construction made of stainless steel and plastic connectors.
- The set includes foundations made of concrete class C25/30